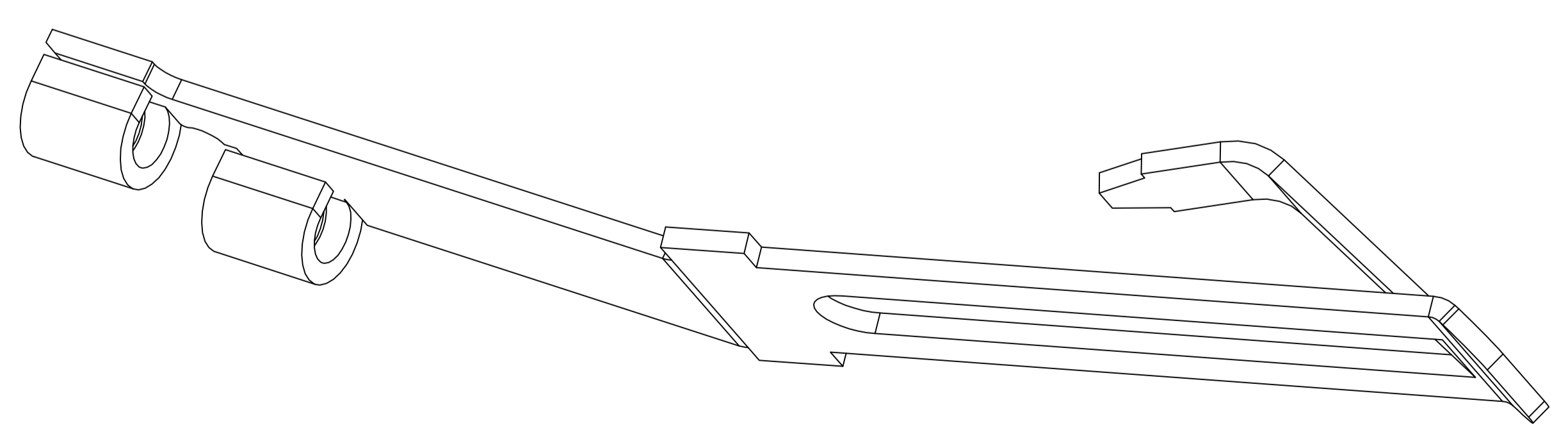
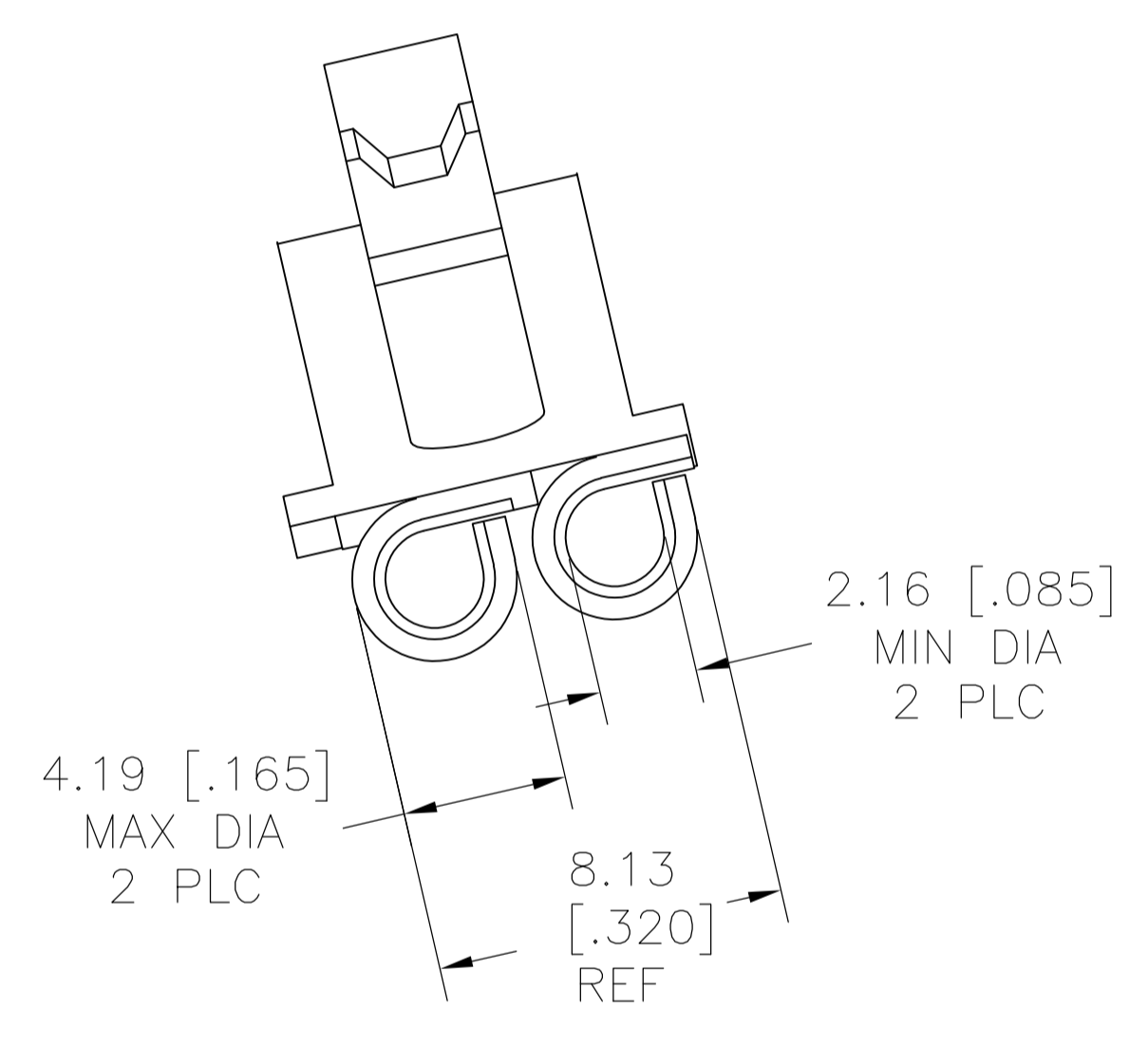
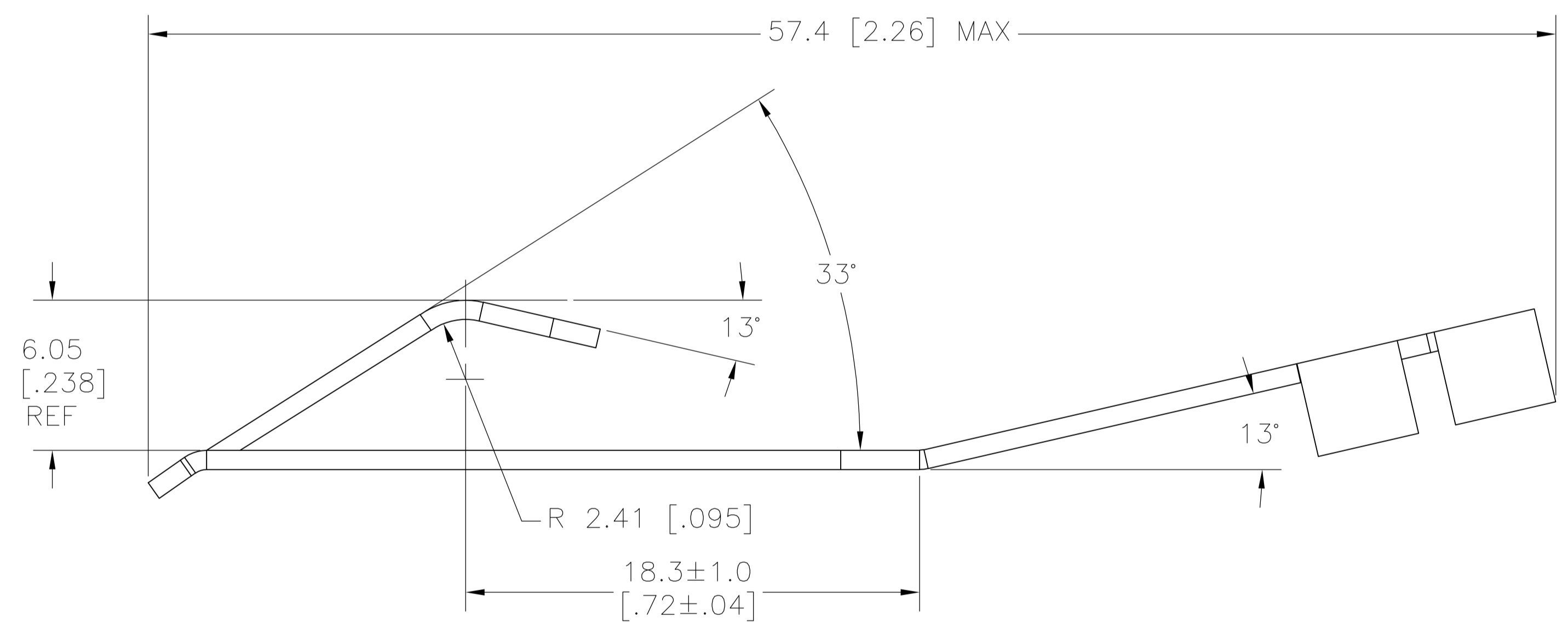
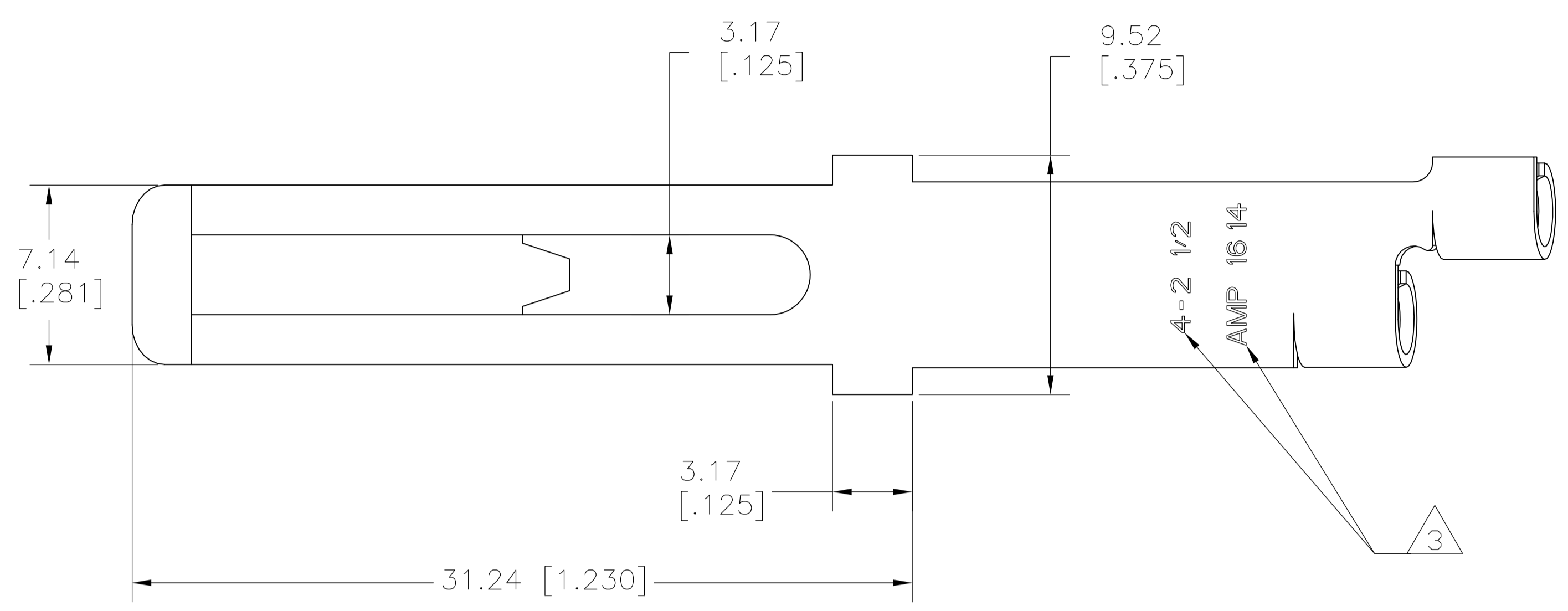


LOC		DIST		REVISIONS			
P	LTR	DESCRIPTION	DATE	DMN	APVD		
G	02	K	REV & REDAWN PER ECR 09-011654	28MAY09	JR	TM	

- ① MATERIAL: PHOS BRONZE 0.79 [.031] THICK
- ② SILVER PLATE
- ③ TEXT IS ON SIDE OF PART SHOWN.



50271
PART NO.

THIS DRAWING IS A CONTROLLED DOCUMENT.		DIN jr_ruth 28MAY09		Tyco Electronics Corporation Harrisburg, PA 17105-3608	
DIMENSIONS: MM [INCHES]		TOLERANCES UNLESS OTHERWISE SPECIFIED:		APVD TOM MICHELUTTI 28MAY09	
0 PLC ± -		1 PLC ± 0.3 [.012]		NAME TOM MICHELUTTI	
2 PLC ± 0.20 [.008]		3 PLC ± -		PRODUCT SPEC	
4 PLC ± -		ANGLES ± 5°		APPLICATION SPEC	
MATERIAL ①		FINISH ②		SIZE CAGE CODE DRAWING NO	
				A1 00779 C=50271	
CUSTOMER DRAWING		SCALE 5:1		SHEET 1 OF 1 REV K	